

Technical data sheet



Product features

Sink with wall mount

Model

SAP Code

00004886



- Material: Stainless steel
- Width of internal part [mm]: 343
- Depth of internal part [mm]: 243
- Height of internal part [mm]: 141

Technical data sheet



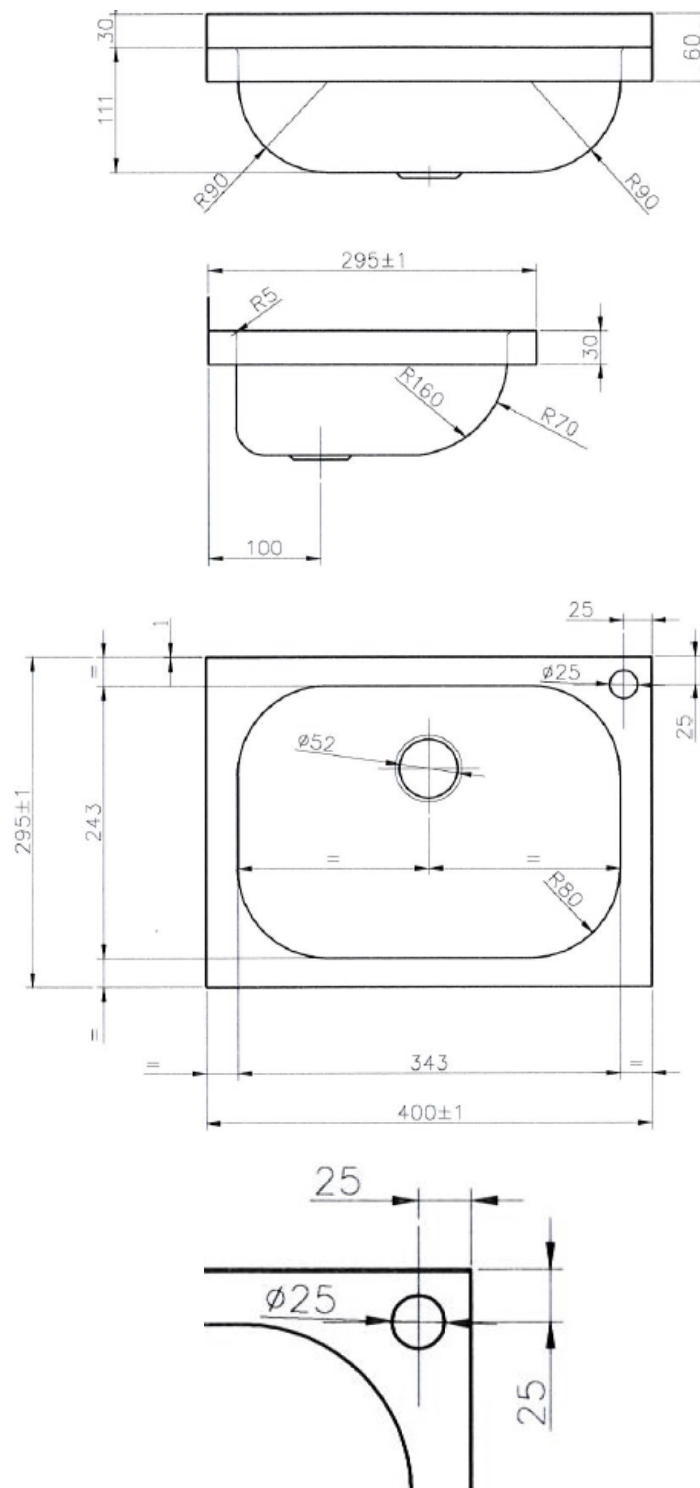
Technical drawing

Sink with wall mount

Model

SAP Code

00004886



Technical data sheet



Technical parameters

Sink with wall mount

Model

SAP Code

00004886

1. SAP Code:

00004886

8. Gross Height [mm]:

220

2. Net Width [mm]:

400

9. Gross Weight [kg]:

2.50

3. Net Depth [mm]:

295

10. Material:

Stainless steel

4. Net Height [mm]:

200

11. Width of internal part [mm]:

343

5. Net Weight [kg]:

2.35

12. Depth of internal part [mm]:

243

6. Gross Width [mm]:

330

13. Height of internal part [mm]:

141

7. Gross depth [mm]:

450